

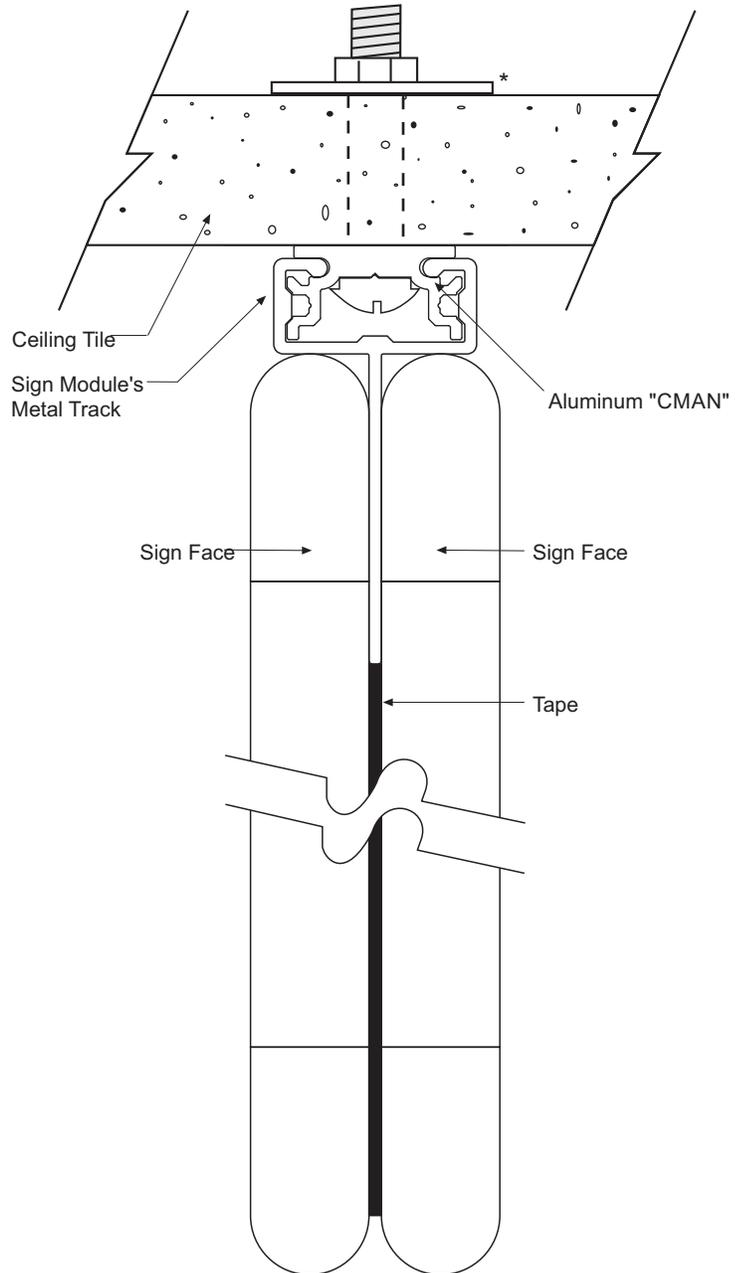
## Ceiling Mount Attachment Installation Instructions

### Mounting Signs on Ceiling Corridors

This mounting method may not be appropriate for certain corridor widths where the sign module length prevents sliding the sign on to the CMAN extrusion.

The CMAN may be used in short sections which allow one end of the sign to be engaged - rotated and slid over the CMT on the opposite end of the corridor.

Fig 1. End View (Shown with metal closure track)



### Installation: Overhead Ceiling Signs

1. The Arris Overhead Ceiling sign Assembly features two 7/16" depth Arris frames attached back-to-back with a modular aluminum mounting channel at the top. The aluminum channel houses a sliding aluminum track which is the component to which any mounting devices extending from the ceiling (i.e. threaded rods, cables, etc.) are attached.

**IMPORTANT!** It is the responsibility of the installer to determine the types and specifications of mechanical fasteners needed based upon specific installation site features. It is also the installer's responsibility to ensure there is sufficient above-ceiling structure to support both the mounting components and the weight of the sign assembly and that installation complies with any applicable building codes or regulations.

2. When beginning installation preparation, remove an injection molded end cap from one side of the aluminum channel at the top of the sign assembly and then remove the sliding mounting track. The mounting track can be drilled and equipped with attachment components as necessary to support the type of installation method being used (i.e. flush ceiling attachment, wire suspension, etc.).
3. Once the mounting track is secured in its final installation location, the entire sign assembly can be slid back onto the track and the injection molded channel cap replaced.

Ceiling materials and conditions vary and require on-site assessment as to appropriate fasteners and additional above-ceiling support.

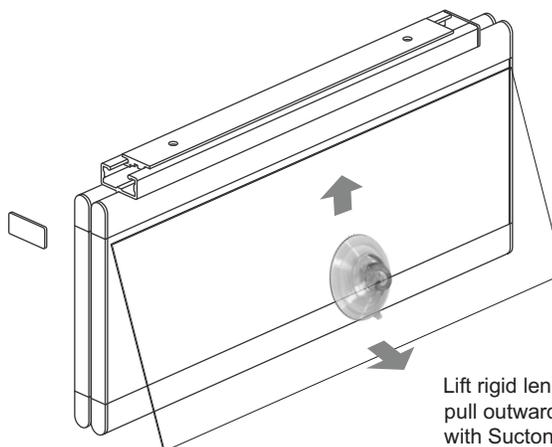
#### Insert Removal & Replacement Overhead Wall Mount and Ceiling Mount

- Using the Large Arris Suction Cup Too, press suction cup firmly against the bottom of the 1/16" insert. Lift the insert UP and OUT away from the frame.

To reinsert the lens, place the top edge of the lens into the top profile of the frame. Push the lens flat against the frame's core and then guide it straight down into the frame's bottom aluminum channel.

#### Note:

For large display and/or when using thicker laminated digital prints which tend to curl outward, using two to three strips of double sided low-tack tape applied to the Arris frame core may help ensure displays are kept as flat as possible while still allowing them to be easily removed from the frame. This will also help keep larger display materials in place while inserting the clear lens cover into the frame.



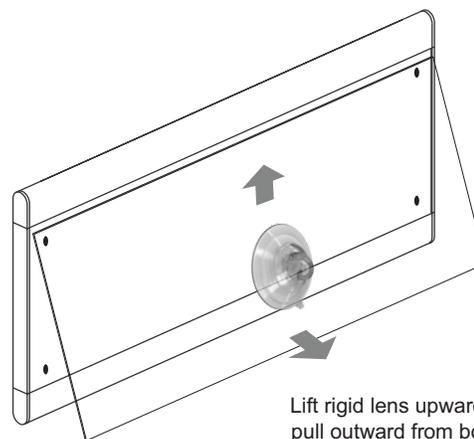
Lift rigid lens upward then pull outward from bottom with Suction Cup Tool for lens removal

#### Overhead Wall Mount Instructions

- Remove all insert materials from the Arris frame as per the instructions above.
- Ensure that the wall surface area at installation location is smooth and level. Mounting to an uneven surface may distort the Arris frame and negatively impact the signs' performance.
- Once the sign is positioned and leveled in its final installation location, use the pre-drilled counter-sunk holes to mark screw locations on wall surface.

**IMPORTANT:** Be sure that the "This Side Up" label on the inside corner of the arris frame is at the TOP of the sign when positioned on the wall.

- Drill and anchor the marked screw locations using appropriate anchors/screws for the surface to which the signs is being installed.
- Tighten the frame to the wall surface and then reinsert all materials/insert components back into the sign.



Lift rigid lens upward then pull outward from bottom with Suction Cup Tool for lens removal